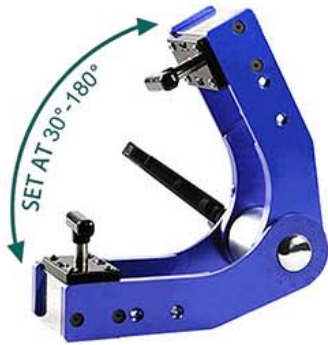




# MAGNETIC ADJUSTABLE WELDING ANGLE

## ON / OFF Magnetic Adjustable Welding Angle

- Used to fix iron plate, tube, stick, angle steel and channel steel etc. to prevent them from moving.
- Every single magnetic base with powerful holding force and with scale display to set up easily between 30° ~ 180° degrees.
- V - groove at the bottom magnetic base can hold the round steel to welding angles.
- ON / OFF Switch to control the magnet, easy and fast to operate.



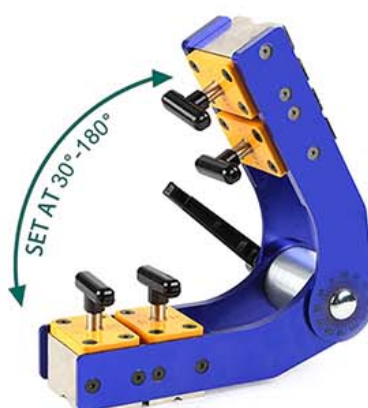
EWM-9S1



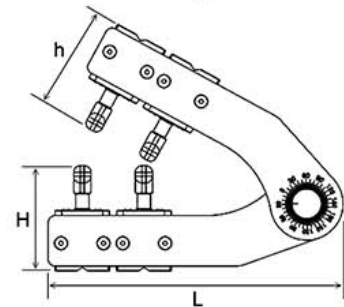
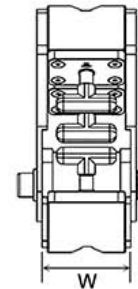
EWM-9S2



EWM-9M1



EWM-9M2



mm / inches

Order No.	Model No.	Magnetic Pulling Force	Dimensions				Full Saturation Thickness	Adjustable Angles	Weight Kgs / Lbs
			L	W	H	h			
4226-01	EWM-9S1	60Kgf / 132Lbs	160 / 6.3"	64 / 2.52"	67 / 2.64"	67 / 2.64"	4 / 0.157"	30° ~ 180°	1.20 / 2.64
4226-02	EWM-9S2	120Kgf / 264Lbs							2.25 / 4.95
4226-11	EWM-9M1	120Kgf / 264Lbs	223 / 8.78"	75 / 2.95"	80 / 3.15"	80 / 3.15"	5 / 0.197"		2.20 / 4.84
4226-22	EWM-9M2	240Kgf / 528Lbs					3.60 / 7.92		

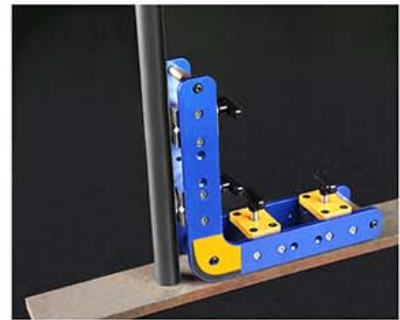
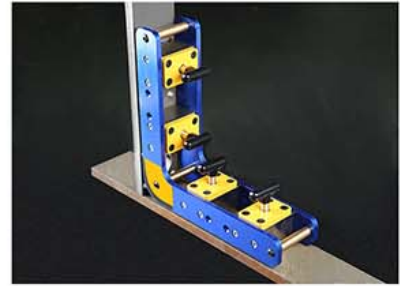
• Any specifications may be changed without notice.



# MAGNETIC 90° WELDING ANGLE

## ON / OFF Magnetic 90° Welding Angle

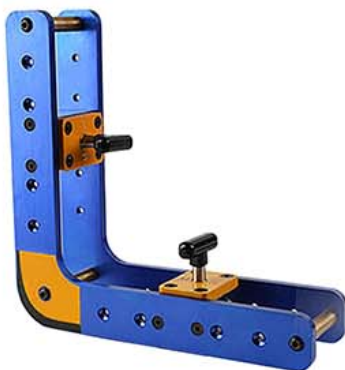
- Used to fix iron plate, tube, stick, angle steel and channel steel etc. to prevent them from moving.
- The 90° magnetic welding holder are easy to use, and can be used with large and heavier steel, If you want more strength, just add more magnetic holder.
- The Bottom of the clamp and both four sides have magnetic, six sides machined at the angle of 90°.
- Controlled by ON / OFF switch, simple operation and fast set up anywhere on ferrous metal.



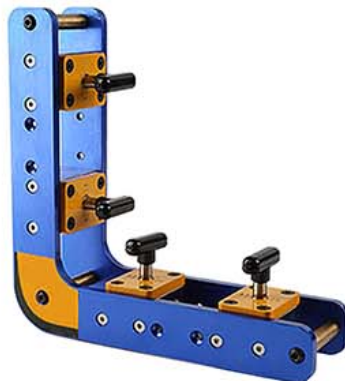
EWM-8S1



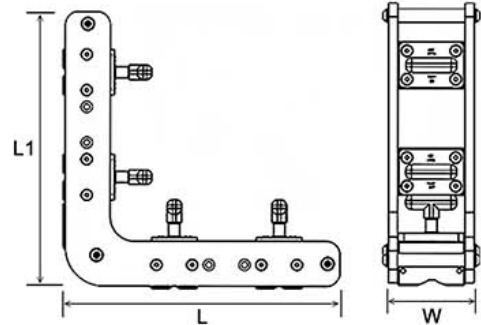
EWM-8S2



EWM-8M1



EWM-8M2



mm / inches

Order No.	Model No.	Magnetic Pulling Force	Dimensions			Full Saturation Thickness	Angle	Weight Kgs / Lbs
			L	L1	W			
4227-01	EWM-8S1	60Kgf / 132Lbs	205 / 8"	205 / 8"	74 / 2.91"	4 / 0.157"	90°	1.35 / 2.97
4227-02	EWM-8S2	120Kgf / 264Lbs						2.10 / 4.62
4227-11	EWM-8M1	120Kgf / 264Lbs	253 / 10"	253 / 10"	85 / 3.35"	5 / 0.197"		2.25 / 4.75
4227-22	EWM-8M2	240Kgf / 528Lbs						3.65 / 8.03

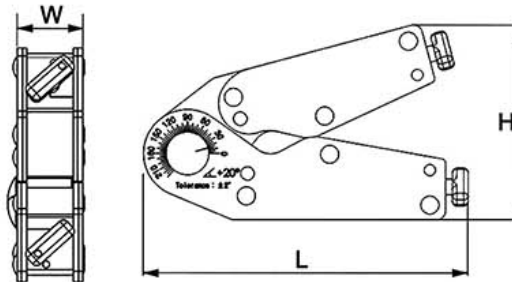
• Any specifications may be changed without notice.



# MAGNETIC WELDING ANGLE

## Dual ON / OFF Switch Magnetic Adjustable Welding Angle

- Ideal for ferrous metal holding for welding jobs in hardware processing and construction industry.
- Dual ON / OFF switches for independent operation.
- With clear degree scale, setting up angles at 15° ~ 120° by holding from outside / inside.
- Lock at any angles with the hex wrench.

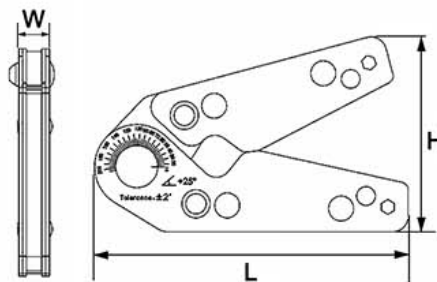


mm / inches

Order No.	Model No.	Magnetic Pulling Force	Dimensions			Adjustable Angle	Weight Kgs / Lbs
			L	H	W		
4228-01	EWM-11S	30Kgf / 66Lbs	144 / 5.67"	87 / 3.42"	12 / 0.47"	15° ~ 210°	0.7 / 1.55
4228-02	EWM-11M	50Kgf / 110Lbs	168 / 6.61"	104 / 4.09"	31 / 1.22"		1.2 / 2.65

## Magnetic Adjustable Welding Angle

- Ideal for ferrous metal holding for welding jobs in hardware processing and construction industry.
- The adjustable angle magnet with clear scale display, it can from the angle of 20° ~ 200° to hold the workpiece and accurately.
- Use hex wrench for lock variable angles, both inside and outside have strong magnetics.



mm / inches

Order No.	Model No.	Magnetic Pulling Force	Dimensions			Adjustable Angle	Weight Kgs / Lbs
			L	H	W		
4228-11	EWM-10S	22Kgf / 48.4Lbs	110 / 4.33"	63 / 2.48"	14 / 0.55"	20° ~ 200°	0.25 / 0.55
4228-22	EWM-10M	35Kgf / 77Lbs	120 / 4.72"	78 / 3.07"	16 / 0.63"		0.4 / 0.88

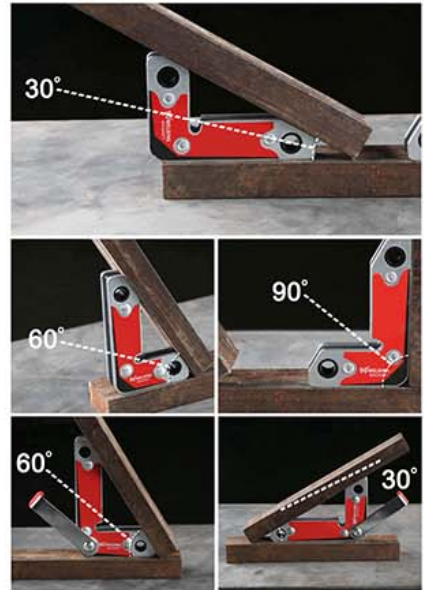
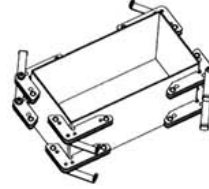
• Any specifications may be changed without notice.



# MAGNETIC WELDING HOLDERS

## Magnetic Inside and Outside Welding Holders (2Pcs / Set)

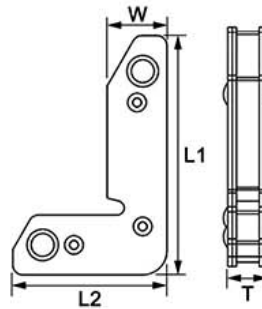
- Hold and position sheet metal, pipes, square, angled or flat stock.
- To create 90° corners by holding from the outside providing you with an unobstructed area for inside tack welds.
- Use its different outer edges to set up materials at 30° and 90°.
- With the new design of handle and easier to remove the magnet from the material.



**EWM-7S**  
(PAIR)



**EWM-7M**  
(PAIR)



mm / inches

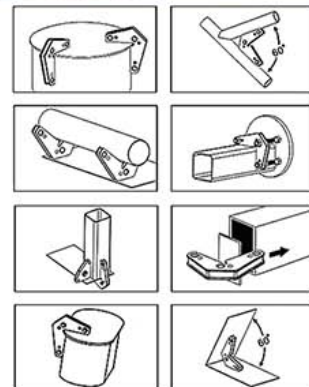
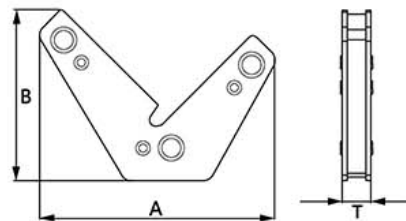
Order No.	Model No.	Magnetic Pulling Force	Dimensions				Angles	2Pcs / Set Weight Kgs / Lbs
			L1	L2	W	T		
4029-01	EWM-7S	30Kgs / 66Lbs	84 / 3.30"	54 / 2.12"	21 / 0.82"	14 / 0.55"	30° / 60° / 90°	0.24 / 0.52 (Pair)
4029-02	EWM-7M	35Kgs / 77Lbs	110 / 4.33"	70 / 2.75"	24 / 0.94"	14 / 0.55"		0.48 / 1.05 (Pair)

## Dual - Use Magnetic Welding Holders (2Pcs / Set)

- Hold and position sheet metal, pipes, square, angled or flat stock.
- Create 90° corners by holding from the outside, providing you with an unobstructed area for inside tack welds.
- Use its out edge to set up materials at 60°.



**EWM-369S**  
(PAIR)



mm / inches

Order No.	Model No.	Magnetic Pulling Force	Dimensions			Angles	2Pcs / Set Weight Kgs / Lbs
			A	B	T		
4029-69	EWM-369S	18Kgs / 40Lbs	100 / 3.93"	73 / 2.87"	12 / 0.47"	60° / 90°	0.38 / 0.83 (Pair)

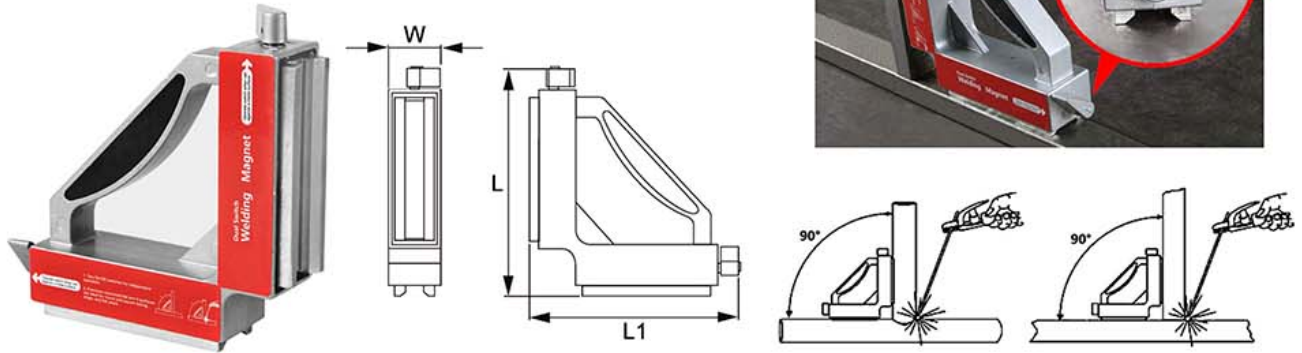
• Any specifications may be changed without notice.



# MAGNETIC 90° WELDING ANGLE

## Dual ON / OFF Switch Magnetic 90° Welding Angle

- Firmly holds metal in position at a 90° angle for brazing, soldering and welding jobs, Ideal for flat and round metal workpiece.
- Dual ON / OFF switches for independent operation.
- Easy and safe set-up.



mm / inches

Order No.	Model No.	Dimensions			Magnetic Pulling Force	Angle	Weight Kgs / Lbs
		L	L1	W			
4230-01	EWM-90S2	148 / 5.83"	148 / 5.83"	38 / 1.5"	60Kgf / 132Lbs	90°	1.10 / 2.42

## Magnetic Fixed 90° Welding Angle

- The Magnetic Fixed 90° Welding Angle is fastest, easiest and most hassle-free welding tool to weld items at 90°.
- It can perform welding jobs at an angle of 90° for rods, pipes, sheets, etc.



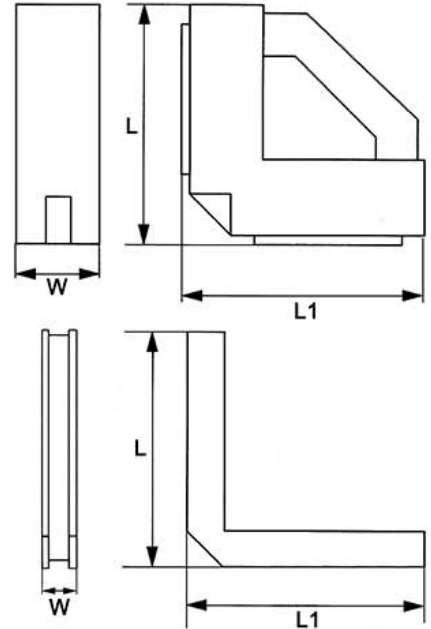
EWM-904



EWM-905



EWM-906



mm / inches

Order No.	Model No.	Magnetic Pulling Force	Dimensions			Angle	Weight Kgs / Lbs
			L	L1	W		
4231-04	EWM-904	60Kgf / 132Lbs	140 / 5.51"	140 / 5.51"	37 / 1.46"	90°	1.8 / 3.96
4231-05	EWM-905	25Kgf / 55Lbs	225 / 8.86"	225 / 8.96"	20 / 0.79"		2.1 / 4.62
4231-05	EWM-906	30Kgf / 66Lbs	300 / 11.8"	300 / 11.8"	35 / 3.38"		4.6 / 10.12

• Any specifications may be changed without notice.



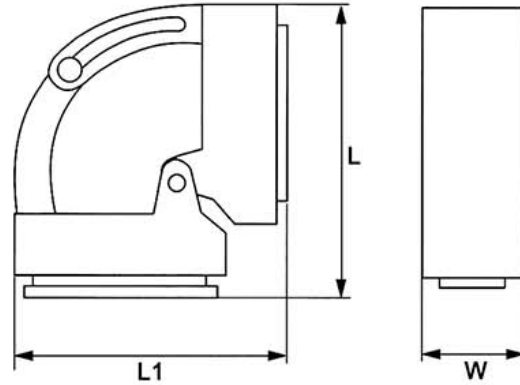
# MAGNETIC WELDING ANGLE

## Magnetic Adjustable Welding Angle

- The magnetic adjustable welding angle can perform welding jobs in multiple angles.
- The angles of 45°, 60°, 75°, are marked on the magnetic adjustable welding angle.
- It is provided with nuts to secure it at the desired.
- Powerful magnets are mounted aluminum housing.



EWM-4590



mm / inches

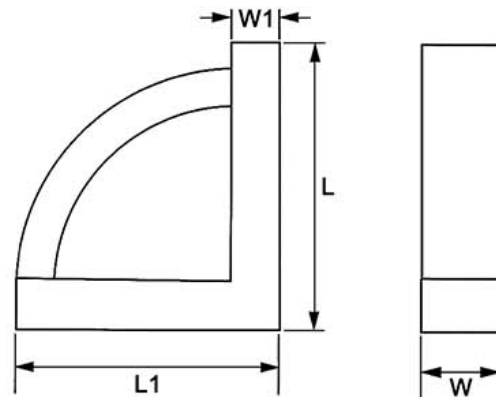
Order No.	Model No.	Magnetic Pulling Force	Dimensions			Adjustable Angles	Weight Kgs / Lbs
			L	L1	W		
4033-10	EWM-4590	40Kgs / 88Lbs	105 / 4.13"	105 / 4.13"	36 / 1.42"	45°, 60°, 75°, 90°	1.5 / 3.3

## Magnetic Fixed 90° Welding Angle

- Hold thick or thin gauge sheet securely in place for optimum welding.
- Powerful magnets are mounted aluminum housing.
- Two magnetic faces in a rigid 90° angle for jiggling on sheets, rods, pipes, etc.



EWM-908



mm / inches

Order No.	Model No.	Magnetic Pulling Force	Dimensions				Angles	Weight Kgs / Lbs
			L	L1	W	W1		
4232-07	EWM-907	100Kgs / 220Lbs	150 / 5.9"	150 / 5.9"	50 / 1.97"	42 / 1.65"	90°	2.1 / 4.62
4232-08	EWM-908	130Kgs / 286Lbs	200 / 7.87"	200 / 7.87"	50 / 1.97"	42 / 1.65"		3.2 / 7.04
4232-09	EWM-909	150Kgs / 330Lbs	300 / 11.8"	300 / 11.8"	50 / 1.97"	42 / 1.65"		5.0 / 11

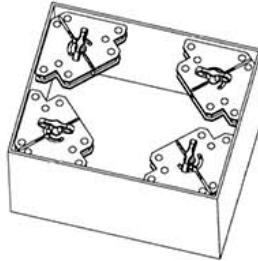
• Any specifications may be changed without notice.



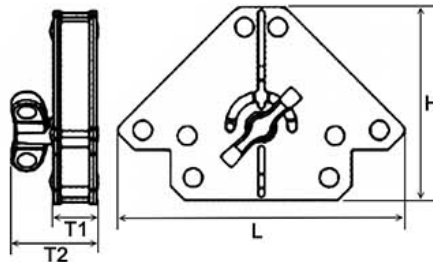
# MAGNETIC WELDING HOLDERS

## ON / OFF Arrow Magnetic Welding Holders

- Use for welding, pipe installation, assembly, magnetic pick-up tool etc.
- Made of ferrite double-layer thick galvanized steel plate, Twice magnetic force, Better precision more durable.
- Multi-angle design, the available use at 45°, 90°, 135°.
- With ON / OFF switch, easy and safe to set up.



EFM-3M

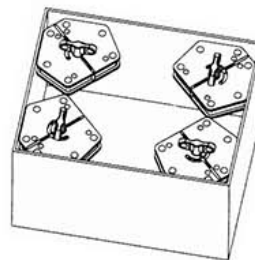


mm / inches

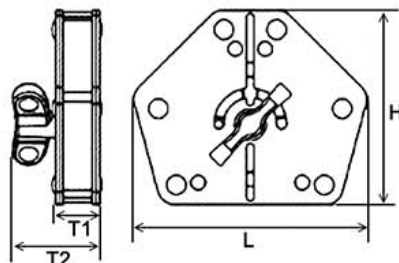
Order No.	Model No.	Magnetic Pulling Force	Dimensions				Angles	Weight Kgs / Lbs
			L	H	T1	T2		
4222-01	EFM-3S	15~20Kgf / 33~44Lbs	120 / 4.72"	81 / 3.19"	36 / 1.42"	18 / 0.71"	45° / 90° / 135°	0.43 / 0.95
4222-02	EFM-3M	30~50Kgf / 66~110Lbs	166 / 6.54"	112 / 4.41"	39 / 1.54"	21 / 0.83"		0.85 / 1.87

## ON / OFF Hexagonal Magnetic Welding Holders

- Use for welding, pipe installation, assembly, magnetic pick-up tool etc.
- Made of ferrite double-layer thick galvanized steel plate, Twice magnetic force, Better precision more durable.
- Multi-angle design, the available use at 30°, 45°, 60°, 75°, 90° and 105°.
- With ON / OFF switch, easy and safe to set up.



EFM-4M



mm / inches

Order No.	Model No.	Magnetic Pulling Force	Dimensions				Angles	Weight Kgs / Lbs
			L	H	T1	T2		
4222-11	EFM-4S	15~20Kgf / 33~44Lbs	96 / 3.78"	80 / 3.15"	36 / 1.42"	18 / 0.71"	30° / 45° / 60° 75° / 90° / 105°	0.5 / 1.1
4222-22	EFM-4M	30~40Kgf / 66~88Lbs	129 / 5.08"	111 / 4.37"	39 / 1.54"	21 / 0.83"		1.0 / 2.2

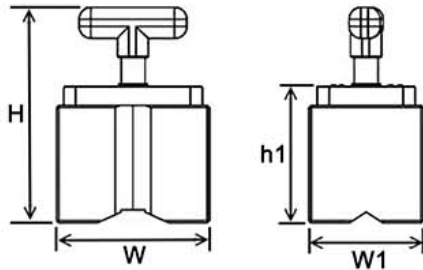
• Any specifications may be changed without notice.



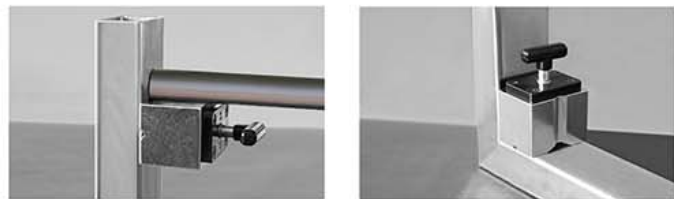
# MAGNETIC WELDING SQUARES

## ON / OFF Magnetic Welding Squares

- With extremely powerful and eliminate the need for tedious clamping.
- The magnetic welding squares offer fast workholding on multiple sides for flat or round steel.
- All sides are at the angle of 90°.
- There are three sides whose bottoms are in V-groove to fix the round workpieces.
- To press & turn T-style On / Off handle and easily setup of the workpieces.



EMWS-1M

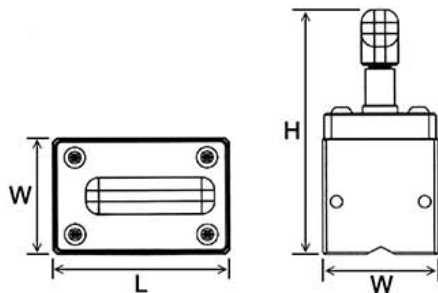


mm / inches

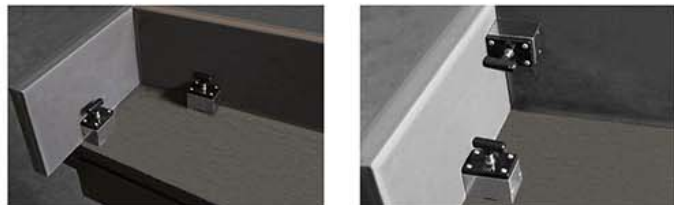
Order No.	Model No.	Magnetic Pulling Force	Dimensions				Weight Kgs / Lbs
			W	H	W1	h1	
4225-01	EMWS-1S	90Kgf / 198Lbs	60 / 2.36"	76 / 3"	48 / 1.89"	44 / 1.73"	0.7 / 1.54
4225-02	EMWS-1M	185Kgf / 407Lbs	64 / 2.52"	90 / 3.54"	48 / 1.89"	57 / 2.24"	1.1 / 2.42

## ON / OFF Magnetic Welding Squares

- With extremely powerful and eliminate the need for tedious clamping.
- The magnetic welding squares offer fast workholding on multiple sides for flat or round steel.
- All sides are at the angle of 90°.
- Its bottom with V-groove to fix the round workpieces.
- To press & turn T-style On / Off handle and easily setup of the workpieces.
- The pre-tapped holes is for mounting.



EMWS-2S



mm / inches

Order No.	Model No.	Magnetic Pulling Force	Dimensions			Full Saturation Thickness	Shear Working Load	Weight Kgs / Lbs
			L	W	H			
4225-21	EMWS-2S	60Kgf / 132Lbs	50 / 1.97"	31.5 / 1.24"	66 / 2.6"	4 / 0.157"	6Kgf / 13.2Lbs	0.38 / 0.84
4225-22	EMWS-2M	120Kgf / 264Lbs	60 / 2.36"	41.5 / 1.63"	80 / 3.15"	5 / 0.196"	8Kgf / 17.6Lbs	0.65 / 1.43

• Any specifications may be changed without notice.

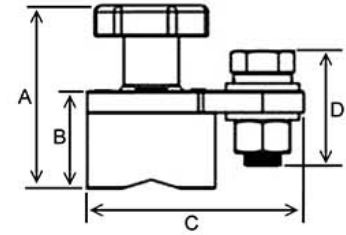




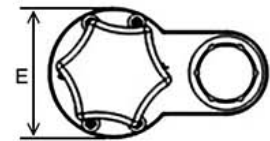
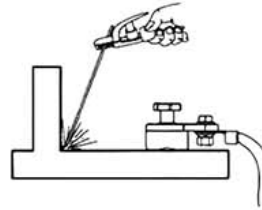
# MAGNETIC WELDING GROUNDS

## ON / OFF Magnetic Welding Grounds

- By the new magnetic technology to let welder set up and move on to the next job quickly and easily.
- Simple operation ON / OFF controlled by the switch.
- Powerful magnet to clamp securely both flat or pipe.



EMWG-300

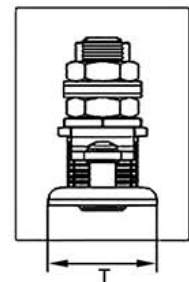
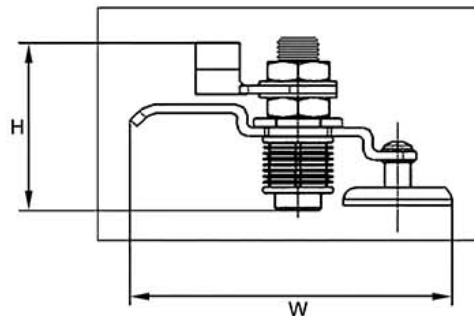


mm / inches

Order No.	Model No.	Current Amps	Magnetic Pulling Force	Dimensions					Weight Kgs / Lbs
				A	B	C	D	E	
4220-20	EMWG-200	200Amp	30Kgf / 66Lbs	60 / 2.36"	32 / 1.25"	64 / 2.55"	36 / 1.41"	35 / 1.37"	0.28 / 0.61
4220-30	EMWG-300	300Amp	40Kgf / 88Lbs	60 / 2.36"	32 / 1.25"	71 / 2.79"	36 / 1.41"	42 / 1.65"	0.38 / 0.83
4220-60	EMWG-600	600Amp	70Kgf / 154Lbs	62 / 2.44"	34 / 1.33"	95 / 3.74"	36 / 1.41"	55 / 2.16"	0.55 / 1.21

## Magnetic Welding Grounds

- This magnetic welding ground clamp attaches easily to any smooth metal surface, flat or curved. The clamp can also be attached metal poles, struts, railings or the welding table.
- The welding ground clamp made of copper wire tail.
- Easy to use magnetic ground clamp-set up a ground clamp for welding jobs anywhere in seconds, tack this onto a convenient spot, hook up your safety wire and you're ready to weld.



mm / inches

Order No.	Model No.	Current Amps	Magnetic Pulling Force	Dimensions			Weight Kgs / Lbs
				W	H	T	
4220-23	EMWG-200F3	200Amp	30Kgf / 66Lbs	107.9 / 4.25"	62.5 / 2.46"	32 / 1.26"	0.19 / 0.42
4220-33	EMWG-300F3	300Amp	40Kgf / 88Lbs	118.4 / 4.66"	65 / 2.56"	36 / 1.42"	0.25 / 0.55
4220-63	EMWG-600F3	600Amp	60Kgf / 132Lbs	124.6 / 4.90"	70 / 2.76"	42 / 1.65"	0.37 / 0.81

• Any specifications may be changed without notice.